


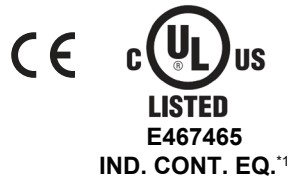
INOVANCE

MD290 AC Drive Open loop general purpose drive

Wide operating voltage
Three-phase 380 to 480 Vac
0.4 to 450 kW
Three phase 200 to 240 Vac

Operation in high ambient
temperature  50°C
Please note: If operating above
40°C derating is required

Built-in DC reactor
(400V: 18.5 kW and above;
200V: 11 kW and above)



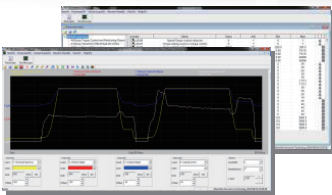
Enhanced reliability

Dual rated
(G type and P type)

Conformally coated PCBs
suitable for 3S2 and 3C3
environments
(acc. to IEC 60721-3-3)

Features & functions

- Open loop control
- Communication options:
 - Modbus-RTU
 - PROFIBUS-DP
 - CANopen
 - CANlink
 - PROFINET
 - EtherCAT
- Automatic torque boost
- Slip compensation
- Simplified parameters for easy start up
- 4 independent S-ramps
- Flexible programmable I/Os
- User programmable functions
- Variable DC-injection braking
- Comprehensive trip diagnostics
- Output frequency: 500 Hz
- Built-in dynamic braking unit



PC-based
software:
simplified
start up &
backup²

Through-hole mounting
options (0.4 to 160 kW)

¹ cUL is available for 380-480 Vac models. For other voltages, please consult with your local Inovance representative.
² PC comms kit is required (optional accessory)

General specifications

| Voltage class $\text{CE} \text{UL}$ | | Three-phase 380 to 480 Vac | | | | | | | | | | |
|-------------------------------------|---------------------------------|--|------------|------------|------------|------------|------------|------------|------------|-----------|-----------|------------|
| MD290TxxxG/yyyyPB-INT | | 0.4G/0.7PB | 0.7G/1.1PB | 1.1G/1.5PB | 1.5G/2.2PB | 2.2G/3.0PB | 3.0G/3.7PB | 3.7G/5.5PB | 5.5G/7.5PB | 7.5G/11PB | 11G/15PB | 15G/18.5PB |
| Frame size | | T1 ¹ | | | T2 | | T3 | | T4 | | | |
| Drive input | Rated input voltage | Three-phase 380 to 480 Vac -15% to +10% | | | | | | | | | | |
| | Rated input current [A] | 1.8/2.5 | 2.4/3.7 | 3.7/4.6 | 4.6/6.4 | 6.3/9.1 | 9.0/11.3 | 11.4/15.9 | 16.7/22.4 | 21.9/32.9 | 32.2/39.7 | 41.3/44 |
| | Power capacity [kVA] | 2.3 | 3.4 | 4.2 | 5.9 | 8.3 | 10.4 | 15.5 | 20.5 | 30.2 | 38.2 | 44.4 |
| | Rated input frequency | 50/60 Hz $\pm 5\%$ | | | | | | | | | | |
| Drive output | Applicable motor [kW] | 0.4/0.7 | 0.7/1.1 | 1.1/1.5 | 1.5/2.2 | 2.2/3.0 | 3.0/3.7 | 3.7/5.5 | 5.5/7.5 | 7.5/11 | 11/15 | 15/18.5 |
| | Output current [A] ² | 1.5/2.1 | 2.1/3.1 | 3.1/3.8 | 3.8/5.1 | 5.1/7.2 | 7.2/9.0 | 9.0/13 | 13/17 | 17/25 | 25/32 | 32/37 |
| | Default carrier frequency [kHz] | 6 | 6 | 6 | 6 | 6 | 6 | 6 | 6 | 6 | 6 | 6 |
| | Overload capacity | 150% for G type and 110% for P type for 60 s | | | | | | | | | | |
| | Max. output voltage | Three-phase 380 to 480 Vac (proportional to input voltage) | | | | | | | | | | |
| | Max. output frequency | 500 Hz | | | | | | | | | | |
| Braking resistor | Recommended power [kW] | 0.08 | 0.14 | 0.22 | 0.3 | 0.44 | 0.6 | 0.74 | 1.1 | 1.5 | 2.2 | 3 |
| | Minimum resistance [Ω] | 96 | 96 | 96 | 96 | 64 | 64 | 32 | 32 | 32 | 24 | 24 |
| Braking unit | | Built-in | | | | | | | | | | |
| Enclosure | | IP 20 | | | | | | | | | | |

| Voltage class $\text{CE} \text{UL}$ | | Three-phase 380 to 480 Vac | | | | | | | | | | |
|-------------------------------------|---------------------------------|--|-----------|---------|---------|----------------|---------|----------------|----------------------|---------------------|---------------------|---------------------|
| MD290TxxxG/xxxP-INT | | 18.5G/22P | 22G/30P | 30G/37P | 37G/45P | 45G/55P | 55G/75P | 75G/90P | 90G/110P | 110G/132P | 132G/160P | 160G/200P |
| Frame size | | T5 | | T6 | | T7 | | T8 | | | T9 | |
| Drive input | Rated input voltage | Three-phase 380 to 480 Vac -15% to +10% | | | | | | | | | | |
| | Rated input current [A] | 43.4/51.3 | 51.3/65.8 | 57/71 | 69/86 | 89/111 | 106/143 | 139/167 | 164/198 | 196/239 | 240/295 | 287/359 |
| | Power capacity [kVA] | 54 | 60 | 65 | 79 | 102 | 131 | 153 | 181 | 219 | 270 | 328 |
| | Rated input frequency | 50/60 Hz $\pm 5\%$ | | | | | | | | | | |
| Drive output | Applicable motor [kW] | 18.5/22 | 22/30 | 30/37 | 37/45 | 45/55 | 55/75 | 75/90 | 90/110 | 110/132 | 132/160 | 160/200 |
| | Output current [A] ² | 37/45 | 45/60 | 60/75 | 75/91 | 91/112 | 112/150 | 150/176 | 176/210 | 210/253 | 253/304 | 304/377 |
| | Default carrier frequency [kHz] | 6 | 6 | 6 | 5 | 5 | 4 | 3 | 3 | 3 | 3 | 3 |
| | Overload capacity | 150% for G type and 110% for P type for 60 s | | | | | | | | | | |
| | Max. output voltage | Three-phase 380 to 480 Vac (proportional to input voltage) | | | | | | | | | | |
| | Max. output frequency | 500 Hz | | | | | | | | | | |
| Braking resistor | Recommended power [kW] | 4 | 4.5 | 6 | 7 | 9 | 11 | 15 | 18 | 22 | 26 | 32 |
| | Minimum resistance [Ω] | 24 | 24 | 19.2 | 14.8 | 12.8 | 9.6 | 6.8 | 11.4x2 ⁻³ | 7.7x2 ⁻³ | 7.7x2 ⁻³ | 7.7x2 ⁻³ |
| Braking unit | | Built-in as option (for models MD290TxxxG/yyyyPB-INT) | | | | MDBUN-60-5T x2 | | MDBUN-90-5T x2 | | | | |
| Enclosure | | IP 20 | | | | | | | | | | |

*1 0.75/1.5/2.2 kW are the preferred stocking ratings. To learn more, please get in touch with your local Inovance representative.

*2 Rated output current at default carrier frequency.

*3 Minimum value of the resistance for each braking unit.

| Voltage class $\text{CE} \text{UL}$ | | Three-phase 380 to 480 Vac | | | | | | | | | | | | | | | |
|-------------------------------------|---------------------------------|---|---------------------|---------------------|---------------------|---------------------|---------------------|---------------------|---------------------|---------------------|---------------------|---------------------|---------------------|---------------------|---------------------|---------------------|---------------------|
| MD290Txxxx-INT ⁴ | | 200G | 220P | 220G | 250P | 280P | 250G | 280G | 315P | 355P | 315G | 355G | 400P | 400G | 450P | 450G | 500P |
| Frame size | | T10 | | | | T11 | | | | T12 | | | | | | | |
| Drive input | Rated input voltage | Three-phase 380 to 480 Vac -15% to +10% | | | | | | | | | | | | | | | |
| | Rated input current [A] | 365 | 410 | 410 | 456 | 507 | 441 | 495 | 559 | 624 | 565 | 617 | 708 | 687 | 782 | 782 | 840 |
| | Power capacity [kVA] | 334 | 375 | 375 | 417 | 464 | 404 | 453 | 511 | 571 | 517 | 565 | 647 | 629 | 715 | 716 | 768 |
| | Rated input frequency | 50/60 Hz $\pm 5\%$ | | | | | | | | | | | | | | | |
| Drive output | Applicable motor [kW] | 200 | 220 | 220 | 250 | 280 | 250 | 280 | 315 | 355 | 315 | 355 | 400 | 400 | 450 | 450 | 500 |
| | Output current [A] ² | 377 | 426 | 426 | 465 | 520 | 465 | 520 | 585 | 650 | 585 | 650 | 725 | 725 | 820 | 820 | 880 |
| | Default carrier frequency [kHz] | 3 | 3 | 3 | 3 | 3 | 3 | 3 | 3 | 3 | 3 | 3 | 3 | 3 | 3 | 3 | 3 |
| | Overload capacity | 150% for G type and 110% for P type for 60 s (130% for MD290T450G (-L)) | | | | | | | | | | | | | | | |
| | Max. output voltage | Three-phase 380 to 480 Vac (proportional to input voltage) | | | | | | | | | | | | | | | |
| Max. output frequency | 500 Hz | | | | | | | | | | | | | | | | |
| Braking resistor | Recommended power [kW] | 38 | 38 | 42 | 42 | 48 | 48 | 54 | 54 | 60 | 60 | 69 | 69 | 78 | 78 | 87 | 87 |
| | Minimum resistance [Ω] | 2.8x2 ⁻³ | 2.8x2 ⁻³ | 2.8x2 ⁻³ | 2.8x2 ⁻³ | 2.8x2 ⁻³ | 2.8x2 ⁻³ | 2.8x3 ⁻³ | 2.8x3 ⁻³ | 2.8x3 ⁻³ | 2.8x3 ⁻³ | 2.8x3 ⁻³ | 2.8x3 ⁻³ | 2.8x3 ⁻³ | 2.8x3 ⁻³ | 2.8x3 ⁻³ | 2.8x3 ⁻³ |
| Braking unit | | MDBUN-200-5T x2 | | | | | | MDBUN-200-5T x3 | | | | | | | | | |
| Enclosure | | IP 00 | | | | | | | | | | | | | | | |

| Voltage class CE | | Three-phase 200 to 240 Vac | | | | | | | | | | | | | | | | |
|---------------------------|---------------------------------|--|------------|------------|------------|------------|------------|------------|-----------|-----------|---|-----------|---------|---------|---------|---------------------|---------------------|--|
| MD290-2TxxxG/yyyyP(B)-INT | | 0.4G/0.7PB | 0.7G/1.1PB | 1.1G/1.5PB | 1.5G/2.2PB | 2.2G/3.7PB | 3.7G/5.5PB | 5.5G/7.5PB | 7.5G/11PB | 11G/15P | 15G/18.5P | 18.5G/22P | 22G/30P | 30G/37P | 37G/45P | 45G/55P | 55G/75P | |
| Frame size | | T1 ¹ | | | | T2 | | T3 | T4 | T5 | T6 | | T7 | | T8 | | | |
| Drive input | Rated input voltage | Three-phase 200 to 240 Vac -15% to +10% | | | | | | | | | | | | | | | | |
| | Rated input current [A] | 2.4/3.7 | 4.6/6.4 | 6.3/9.1 | 9/11.3 | 11.4/15.9 | 16.7/22.4 | 32.2/39.7 | 41.3/44 | 51.3/65.8 | 57/71 | 69/86 | 89/111 | 106/143 | 139/167 | 164/198 | 196/239 | |
| | Rated input frequency | 50/60 Hz $\pm 5\%$ | | | | | | | | | | | | | | | | |
| Drive output | Applicable motor [kW] | 0.4/0.75 | 0.75/1.1 | 1.1/1.5 | 1.5/2.2 | 2.2/3.7 | 3.7/5.5 | 5.5/7.5 | 7.5/11 | 11/15 | 15/18.5 | 18.5/22 | 22/30 | 30/37 | 37/45 | 45/55 | 55/75 | |
| | Output current [A] ² | 2.1/3.1 | 3.8/5.1 | 5.1/7.2 | 7.2/9 | 9/13 | 13/17 | 25/32 | 32/37 | 45/60 | 60/75 | 75/91 | 91/112 | 112/150 | 150/176 | 176/210 | 210/253 | |
| | Default carrier frequency [kHz] | 6 | 6 | 6 | 6 | 6 | 6 | 6 | 6 | 6 | 6 | 5 | 5 | 5 | 4 | 3 | 3 | |
| | Overload capacity | 150% for G type & 110% for P type for 60 s | | | | | | | | | | | | | | | | |
| | Max. output voltage | Three phase 200 to 240 Vac (proportional to input voltage) | | | | | | | | | | | | | | | | |
| Max. output frequency | 500 Hz | | | | | | | | | | | | | | | | | |
| Braking resistor | Recommended power [kW] | 90 | 160 | 250 | 340 | 500 | 800 | 1300 | 1700 | 2300 | 3000 | 3900 | 4600 | 5500 | 6800 | 5000x2 | 6000x2 | |
| | Minimum resistance [Ω] | 48 | 48 | 32 | 32 | 16 | 16 | 12 | 12 | 12 | 9 | 7 | 6 | 5 | 4 | 5.5x2 ⁻³ | 3.7x2 ⁻³ | |
| Braking unit | | Built-in | | | | | | | | | Built-in as option (for models MD290-2TxxxG/yyyyPB-INT) | | | | | | | |
| Enclosure | | IP20 | | | | | | | | | | | | | | | | |

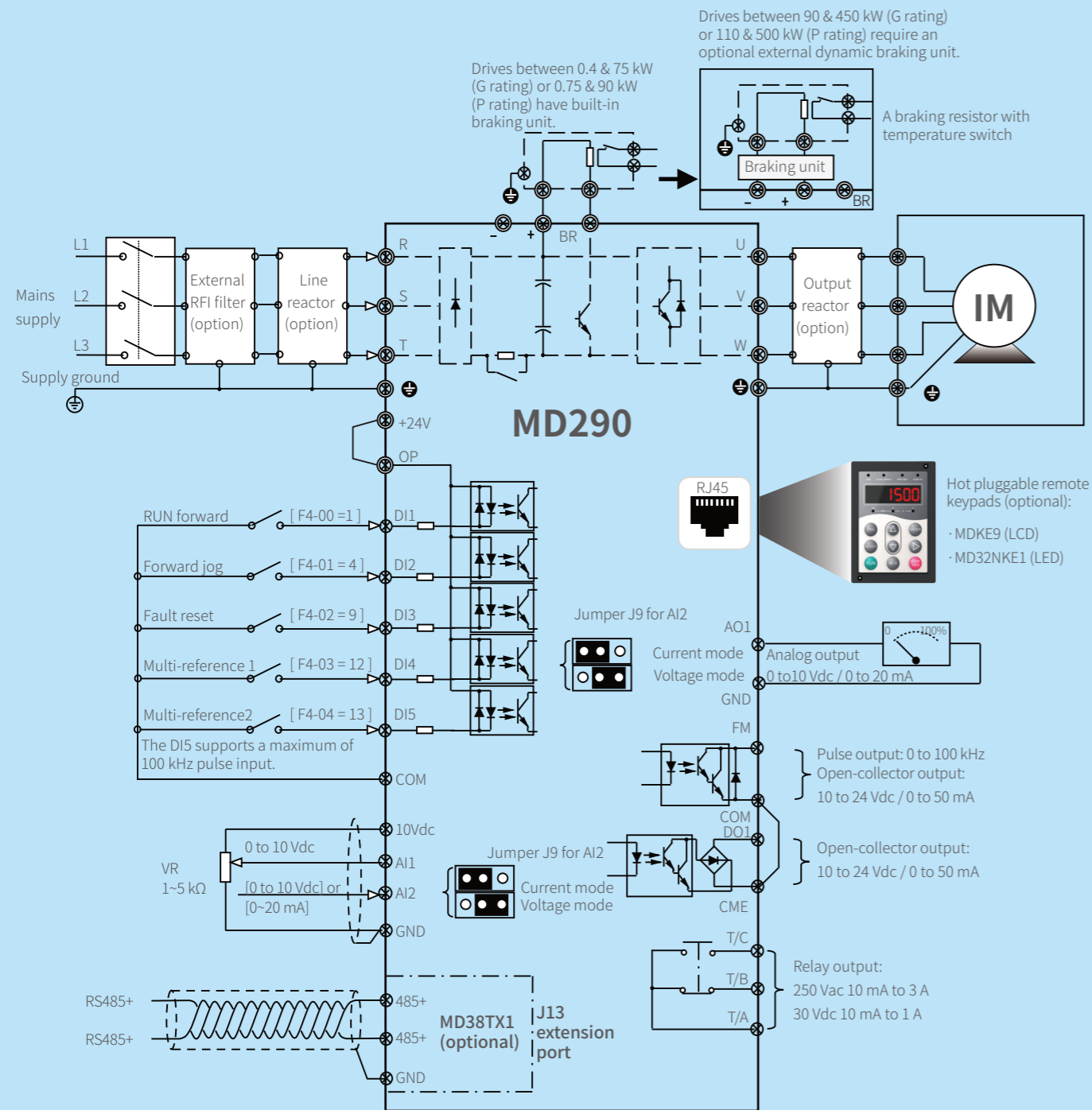
*1 0.75/1.5/2.2 kW are the preferred stocking ratings. To learn more, please get in touch with your local Inovance representative.

*2 Rated output current at default carrier frequency.

*3 Minimum value of the resistance for each braking unit.

*4 For the standard AC drive, motor cable length should be <100m. Where it is >100m, we recommend the "L" option with 1% voltage drop output reactors to overcome the effects of voltage reflections on the motor windings (e.g. drive model M290T200G-L-INT). To discuss your application, consult your local Inovance representative.

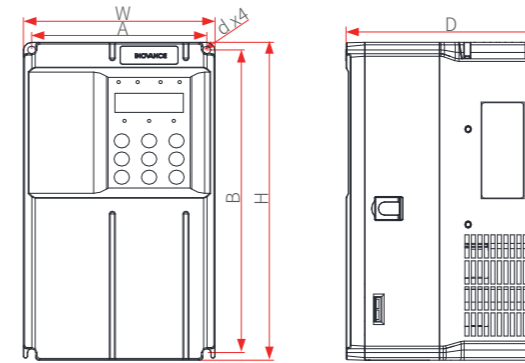
General wiring diagram



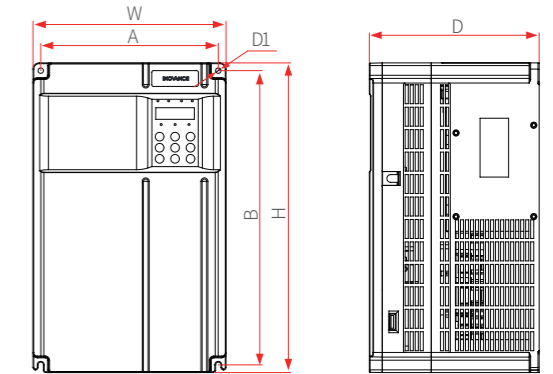
Note: This wiring diagram shows the digital inputs used in NPN (SINK) configuration. They can be used also as PNP (SOURCE) configuration.

Dimensions

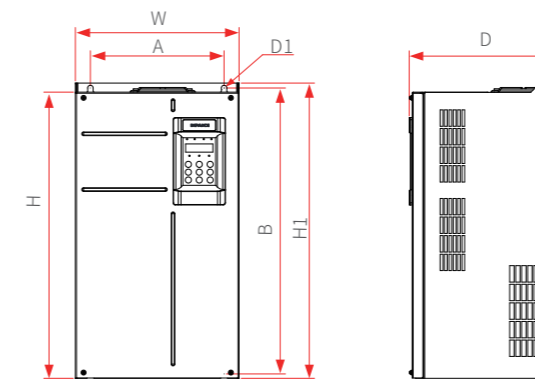
MD290T0.4G/0.7PB-INT to MD290T15G/18.5PB-INT
 MD290-2T0.4G/0.7PB-INT to MD290-2T7.5G/11PB-INT



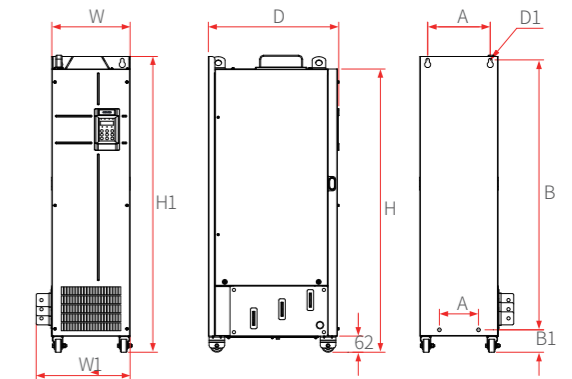
MD290T18.5G/22P(B)-INT to MD290T37G/45P(B)-INT
 MD290-2T11G/15P(B)-INT to MD290-2T18.5G/22P(B)-INT



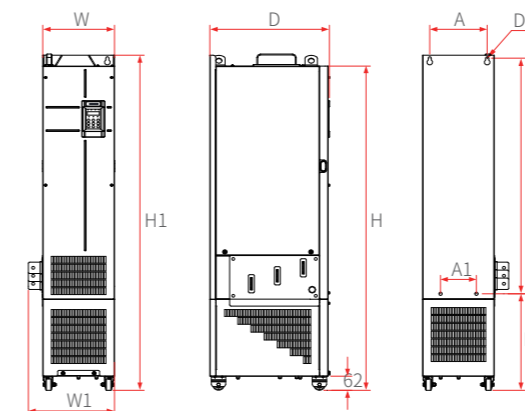
MD290T45G/55P(B)-INT to MD290T160G/200P-INT
 MD290-2T22G/30P(B)-INT to MD290-2T55G/75P-INT



MD290T200G-INT to MD290T450G-INT
 MD290T220P-INT to MD290T500P-INT



MD290T200G-L-INT to MD290T450G-L-INT
 MD290T220P-L-INT to MD290T500P-L-INT



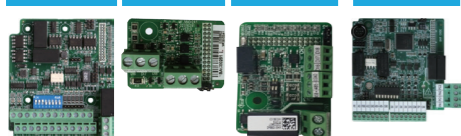
| MD290 model | Frame size | Dimensions (mm) | | | | | | | | | | Mass (kg) |
|---|------------|-----------------|-----|-------|-----|-------|-------|-----|-----|-----|-----|-----------|
| | | A | A1 | B | B1 | H | H1 | W | W1 | D | D1 | |
| MD290T0.4G/0.7PB-INT, MD290T0.7G/1.1PB-INT, MD290T1.1G/1.5PB-INT MD290T1.5G/2.2PB-INT, MD290T2.2G/3.0PB-INT, MD290T3.0G/3.7PB-INT MD290-2T0.4G/0.7PB-INT, MD290-2T0.7G/1.1PB-INT, MD290-2T1.1G/1.5PB-INT, MD290-2T1.5G/2.2PB-INT | T1 | 119 | / | 189 | / | 200 | / | 130 | / | 152 | Ø5 | 1.6 |
| MD290T3.7G/5.5PB-INT, MD290T5.5G/7.5PB-INT MD290-2T2.2G/3.7PB-INT, MD290-2T3.7G/5.5PB-INT | T2 | 119 | / | 189 | / | 200 | / | 130 | / | 162 | Ø5 | 2.0 |
| MD290T7.5G/11PB-INT, MD290T11G/15PB-INT, MD290-2T5.5G/7.5PB-INT | T3 | 128 | / | 238 | / | 250 | / | 140 | / | 170 | Ø6 | 3.3 |
| MD290T15G/18.5PB-INT, MD290-2T7.5G/11PB-INT | T4 | 166 | / | 266 | / | 280 | / | 180 | / | 170 | Ø6 | 4.3 |
| MD290T18.5G/22P(B)-INT, MD290T22G/30P(B)-INT, MD290-2T11G/15P(B)-INT | T5 | 195 | / | 335 | / | 350 | / | 210 | / | 192 | Ø6 | 10 |
| MD290T30G/37P(B)-INT, MD290T37G/45P(B)-INT MD290-2T15G/18.5P(B)-INT, MD290-2T18.5G/22P(B)-INT | T6 | 230 | / | 380 | / | 400 | / | 250 | / | 220 | Ø7 | 17.5 |
| MD290T45G/55P(B)-INT, MD290T55G/75P(B)-INT MD290-2T22G/30P(B)-INT, MD290-2T30G/37P(B)-INT | T7 | 245 | / | 523 | / | 525 | 542 | 300 | / | 275 | Ø10 | 35 |
| MD290T75G/90P(B)-INT, MD290T90G/110P-INT, MD290T110G/132P-INT MD290-2T37G/45P(B)-INT, MD290-2T45G/55P-INT, MD290-2T55G/75P-INT | T8 | 270 | / | 560 | / | 554 | 580 | 338 | / | 315 | Ø10 | 51.5 |
| MD290T132G/160P-INT, MD290T160G/200P-INT | T9 | 320 | / | 890 | / | 874 | 915 | 400 | / | 320 | Ø10 | 85 |
| MD290T200G-INT, MD290T220P-INT, MD290T220G-INT, MD290T250P-INT MD290T280P-INT | T10 | 240 | 150 | 1,035 | 86 | 1,086 | 1,134 | 300 | 360 | 500 | Ø13 | 110 |
| MD290T200G-L-INT, MD290T220P-L-INT, MD290T220G-L-INT, MD290T250P-L-INT, MD290T280P-L-INT | | 240 | 150 | 1,035 | 424 | 1,424 | 1,472 | 300 | 360 | 500 | Ø13 | 160 |
| MD290T250G-INT, MD290T280G-INT, MD290T315P-INT, MD290T355P-INT MD290T250G-L-INT, MD290T280G-L-INT, MD290T315P-L-INT, MD290T355P-L-INT | T11 | 225 | 185 | 1,175 | 97 | 1,248 | 1,284 | 330 | 390 | 545 | Ø13 | 155 |
| MD290T250G-L-INT, MD290T280G-L-INT, MD290T315P-L-INT, MD290T355P-L-INT | T11 | 225 | 185 | 1,175 | 435 | 1,586 | 1,622 | 330 | 390 | 545 | Ø13 | 215 |
| MD290T315G-INT, MD290T355G-INT, MD290T400P-INT, MD290T400G-INT, MD290T450P-INT, MD290T450G-INT, MD290T500P-INT MD290T315G-L-INT, MD290T355G-L-INT, MD290T400P-L-INT, MD290T400G-L-INT, MD290T450P-L-INT, MD290T450G-L-INT, MD290T500P-L-INT | T12 | 240 | 200 | 1,280 | 101 | 1,355 | 1,405 | 340 | 400 | 545 | Ø16 | 185 |
| MD290T315G-L-INT, MD290T355G-L-INT, MD290T400P-L-INT, MD290T400G-L-INT, MD290T450P-L-INT, MD290T450G-L-INT, MD290T500P-L-INT | T12 | 240 | 200 | 1,280 | 432 | 1,683 | 1,733 | 340 | 400 | 545 | Ø16 | 245 |

Extension cards and mounting position

I/O cards

MD38IO1, MD38IO2, MD38IO3, MD38PC1


I/O card 1, I/O card 2, I/O card 3, PLC card



PLC card

MD38PC1

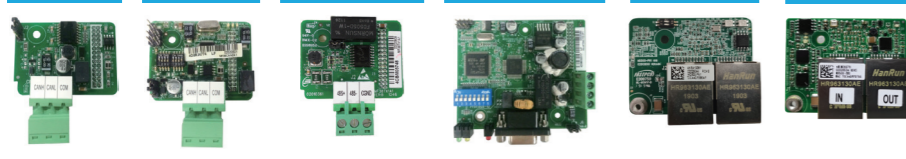
PLC card

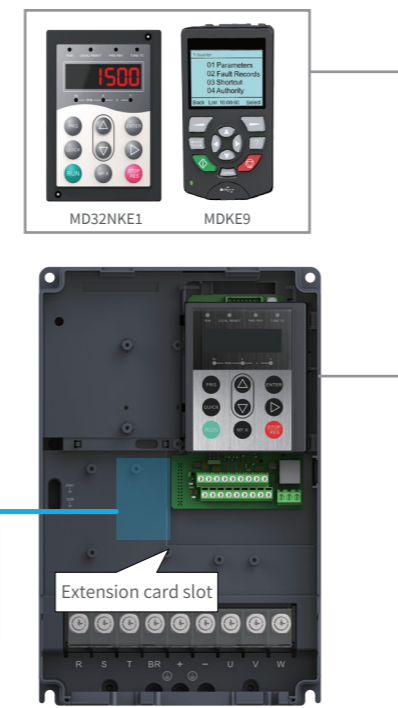


Fieldbus cards

MD38CAN1, MD38CAN2, MD38TX1, MD38DP2, MD500-PN1, MD500-ECAT

CANlink card, CANopen card, Modbus RTU card, PROFIBUS-DP card, PROFINET card, EtherCAT card

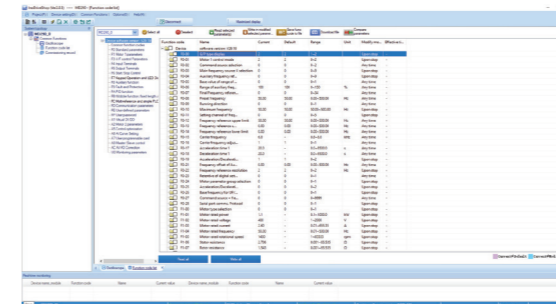




PC software tools

InoDriveShop

InoDriveShop is Inovance's PC-based software offering. It is based on a familiar Windows interface. InoDriveShop can upload and download drive parameters, and features a variety of other functions, such as a real-time oscilloscope



Parameter uploading/downloading



Multi-drive, multi-channel oscilloscope

Accessories list

| Category | Model | Function description | Suitable for |
|------------------------|-----------------|---|-----------------------|
| External braking units | MDBUN-60-2T | External braking unit, rated current 60 A, for supply input voltage 200 to 240 Vac AC drives. | 2T models: 45G - 55G |
| | MDBUN-200-5T | External braking unit, rated current 200 A, for supply input voltage 380 to 480 Vac AC drives. | T models: 200G - 450G |
| | MDBUN-60-5T | External braking unit, rated current 60 A, for supply input voltage 380 to 480 Vac AC drives. | T models: 90G - 110G |
| Keypads | MDBUN-90-5T | External braking unit, rated current 90 A, for supply input voltage 380 to 480 Vac AC drives. | T models: 132G - 160G |
| | MD32NKE1 | Remote LED keypad. Includes MDCAB cable. | All |
| | MDKE9 | Remote LCD keypad. For parameter programming and monitoring, data copy (for various MD series). Includes MDCAB cable. | All |
| I/O cards | MDCAB | 3 meter connection cable for remote keypad. | All |
| | MDCAB-1.5 | 1.5 meter connection cable for remote keypad. | All |
| | MD38IO1 | I/O extension card 1, provides: 5x DI, 1x AI, 1x relay output, 1x DO, 1x AO, Modbus-RTU and CANlink. | Frame sizes T4-T12 |
| PLC card | MD38IO2 | I/O extension card 2, provides 3x extra DI terminals. | All |
| | MD38IO3 | I/O extension card 3, provides 3x DI, 1x relay output, Modbus-RTU interface. | All |
| | MD38PC1 | PLC card, compatible with Inovance PLC. | Frame sizes T4-T12 |
| Fieldbus cards | MD500-ECAT | EtherCAT communication card. | All |
| | MD38CAN1 | CANlink communication card, supports only CANlink. | All |
| | MD38CAN2 | CANopen communication card, supports only CANopen. | All |
| PC comms kit | MD38TX1 | Modbus-RTU communication card. | All |
| | MD38DP2 | PROFIBUS-DP communication card. | Frame sizes T4-T12 |
| | MD500-PN1 | PROFINET communication card. | All |
| Mounting brackets | MDPCKIT02 | Kit for connection with a personal computer, to be used with PC software tools. | All |
| | MD500-AZJ-A1T1 | Through hole mounting bracket - MD290/MD500 for frame T1. | Frame size T1 |
| | MD500-AZJ-A1T2 | Through hole mounting bracket - MD290/MD500 for frame T2. | Frame size T2 |
| | MD500-AZJ-A1T3 | Through hole mounting bracket - MD290/MD500 for frame T3. | Frame size T3 |
| | MD500-AZJ-A1T4 | Through hole mounting bracket - MD290/MD500 for frame T4. | Frame size T4 |
| | MD500-AZJ-A1T5 | Through hole mounting bracket - MD290/MD500 for frame T5. | Frame size T5 |
| | MD500-AZJ-A1T6 | Through hole mounting bracket - MD290/MD500 for frame T6. | Frame size T6 |
| | MD500-AZJ-A1T7 | Through hole mounting bracket - MD290/MD500 for frame T7. | Frame size T7 |
| | MD500-AZJ-A1T8 | Through hole mounting bracket - MD290/MD500 for frame T8. | Frame size T8 |
| Guide Rails | MD500-AZJ-A1T9 | Through hole mounting bracket - MD290/MD500 for frame T9. | Frame size T9 |
| | MD500-AZJ-A3T10 | Guide rails for inserting in/ extracting from the cabinet - frame sizes T10 to T12. | Frame sizes T10-T12 |

Driven by Technology

AC Drives



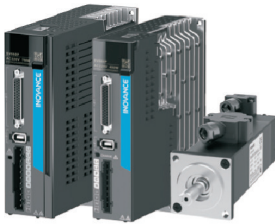
AC MultiDrives



MV Drives



Single-Axis Servos



Multi-Axis Servos



Robotics & Motion Controllers



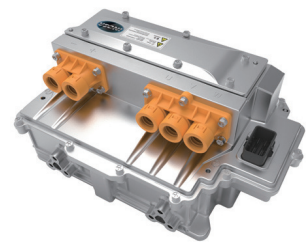
PLCs & HMIs




CNC Machine Tool Solutions





Electric Vehicle Inverters





International Offices


 **Germany-Stuttgart**
☎: +49 (0) 7144 8990
✉: sales.de@inovance.eu

 **Italy-Milano**
☎: +39 (0) 2268 22318
✉: sales.it@inovance.eu

 **France-Bordeaux**
☎: +33 (0) 5594 01050
✉: sales.fr@inovance.eu

 **Turkey-Istanbul**
☎: +90 (216) 706 17 89
✉: info@inovance.eu

 **India**
Head Office Chennai
☎: +91 (0) 44 4380 0201
Ahmedabad
☎: +91 (0) 79 4003 4274
Mumbai
☎: +91 (0) 22 4971 5883
New Delhi
☎: +91 (0) 11 4165 4524
Sales Network in Kolkata, Bengaluru,
Coimbatore, Hyderabad, Pune, Vadodara
✉: info.inovaindia@inova-automation.com

 **South Korea-Seoul**
☎: +82 (0) 10 7428 5732
✉: info@inovance.eu

 **Hong Kong SAR**
International export office
☎: +852 2751 6080
✉: info@inovance.eu

For other country distributors,
contact the Hong Kong office.

Inovance Technology Companies
Shenzhen Inovance Technology Co. Ltd.
Suzhou Inovance Technology Co. Ltd.

INOVANCE
www.inovance.eu